

Dialight

Tactical Composite Rear Tail Light



FEATURES / BENEFITS

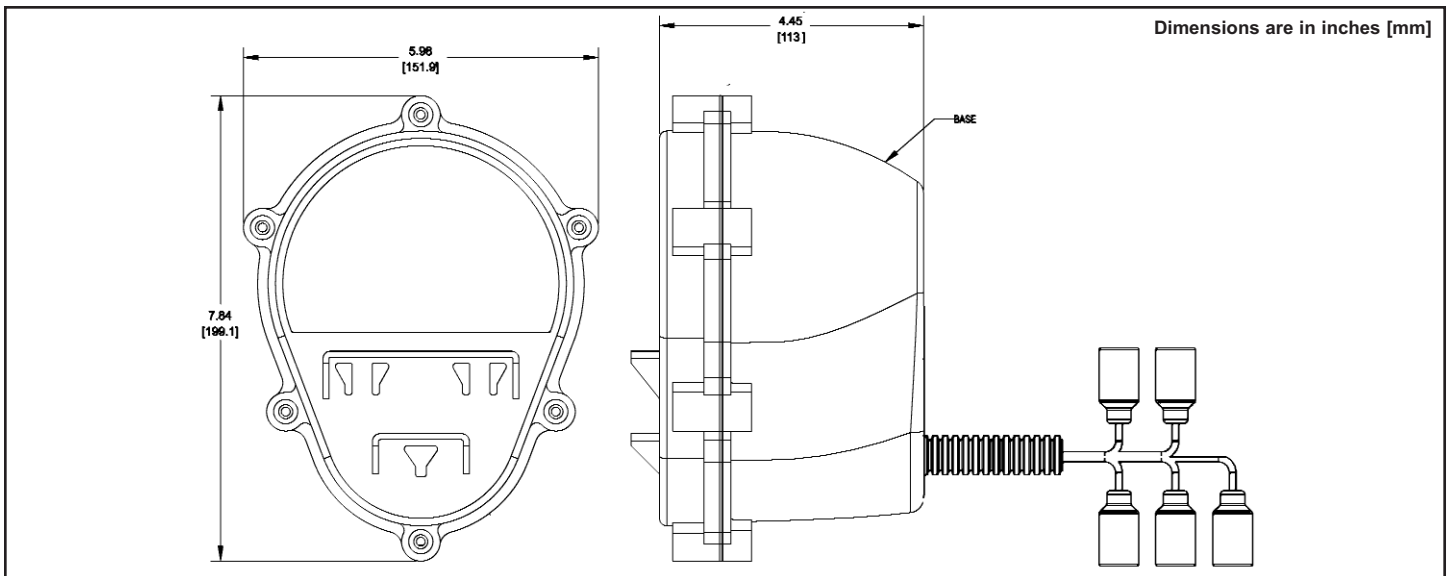
- ▲ Specially designed for military applications
- ▲ Conforms to FMVSS 108 and MIL-STD-1179
- ▲ Lamp housing comes in standard olive drab with hard-wired military connectors
- ▲ Safer, faster on signal to trailing vehicles in stop/turn function
- ▲ Low power consumption
- ▲ High vibration resistance
- ▲ Robust, impact-resistant design
- ▲ Easy retrofit of existing incandescent

APPLICATION

Dialight has developed Tactical Composite Rear Tail Lights as an easy incandescent retrofit upgrade for new and existing military vehicles. These lamps were designed to conform to all of the FMVSS 108 and military specifications.

Dialight's unique hermetically sealed lamps are perfect for extreme environmental conditions. In addition, their vibration resistance makes these devices ideal for use on military vehicles.

SPECIFICATIONS



| Part Number | Description |
|---------------|---|
| TST-RR-13T-13 | Tactical Rear Thin Lamp with Housing for Retrofit |
| TST-RR-10T-13 | Tactical Rear Thin Lamp |

Dialight Corporation

1501 Route 34 South • Farmingdale, NJ 07727 USA

Tel: (1) 732-919-3119 • Fax: (1) 732-751-5778 • www.dialight.com



MDTBTCTLX001_B